

2.3KG ABE FIRE EXTINGUISHER

Suitable for use in:
Electrical switchboards
Homes
Garages



Quell® Fire Extinguishers

Quell's range of fire extinguishers provide a range of solutions for the home or industrial premises. Each Quell branded fire extinguisher is Australian Standard certified and comes with a 5 year warranty. Shopping for a fire extinguisher has never been easier with Quell's colour coding system, neatly categorising the range so that you know you are choosing the right product for the right application.

Product Specifications

Model Number	126131
Type	DCP (Stored pressure)
Capacity	2.3kg (Tol: ±3%)
Contents	ABE40 Powder
Rating	2A:40B:E
Test Pressure	2 MPa
Operating Pressure	1000 kPa
Nominal Mass	4.40 kg
Discharge Time	13 – 17 s
Nozzle Orifice	4.0 mm
Service Temperature	-5°C to 65°C

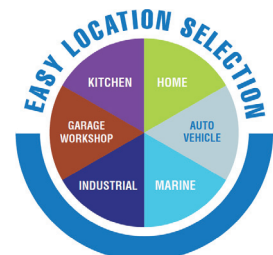
NOTE: Nominal mass and discharge times listed are approximate. Slight variations may occur.

Features and Benefits

The Quell® 2.3kg ABE dry chemical extinguisher features:

- Australian Standard certified to AS1841.5
- Mild steel polyester powder coated handle and trigger
- Mild steel polyester powder coated cylinder
- ABE (mono-ammonium phosphate) dry chemical powder.
- Rated for use on Class A, Class B and Class E fires.
- Transport style pull out pin
- Ready for use pressure indicator
- Forged brass valve
- Zinc plated steel wall bracket

Product suitability



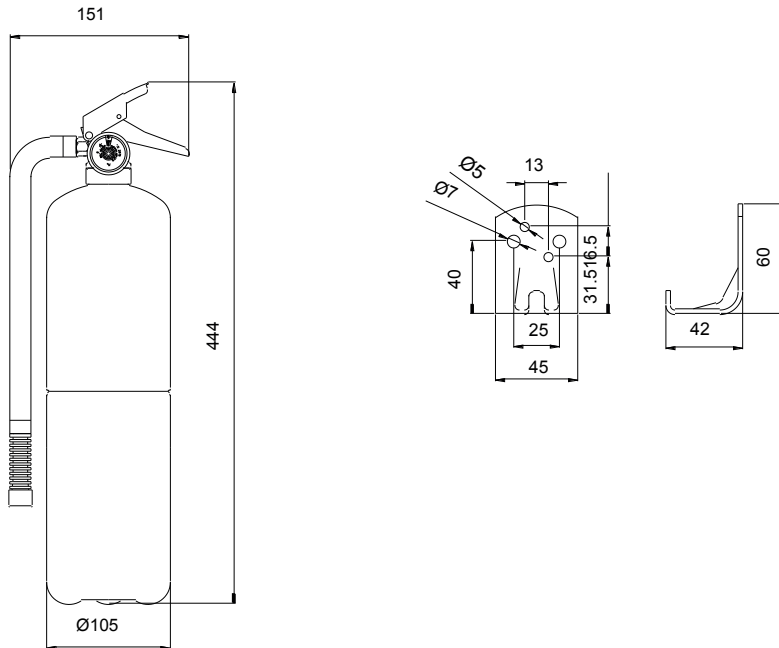
2.3KG ABE FIRE EXTINGUISHER

Compatibility Chart

Which Fire Extinguisher do I use for which fire?						
Kitchen / Garage 1kg 10B:E	✘	✘	-	-	-	✘
Home / Vehicle / Marine 1kg 1A:10B:E	✘	-	✘	✘	✘	✘
Auto / Marine 1kg 1A:10B:E	✘	-	✘	✘	✘	✘
Home / Garage / Workshop 1.5kg 2A:20B:E	✘	-	✘	✘	✘	✘
Home / Garage / Workshop 2.3kg 2A:40B:E	✘	-	✘	✘	✘	✘
Industrial 4.5kg 4A:60B:E	✘	-	✘	✘	✘	✘
Heavy Industrial 9.0kg 6A:80B:E	✘	-	✘	✘	✘	✘



Product Dimensions



Service Requirements

Service in accordance with Australian Standard AS1851.

Additional AS1851 Service Requirements:

- Replace Dry Chemical Powder every five (5) years
- The recommended location for stamping the cylinder pressure test date is on the neck ring of the cylinder, consisting of figures not less than 3mm in height and shall as a minimum be of the form MM/YY, or MM/YYYY.



Contact

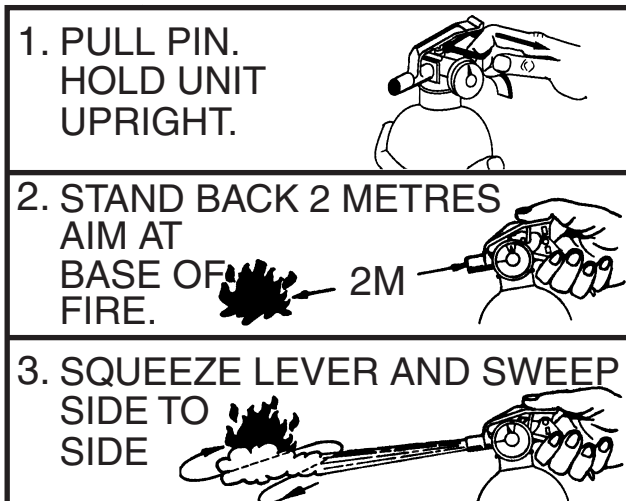
For further information on Quell® smoke alarms, or other products in the Quell® range visit our website at www.quell.com.au or phone **1800 654 435**

Congratulations!

You have just bought a product that can help keep you safe.

For a range of other fire and safety products from Quell visit www.quell.com.au or your major retailer nationally.

How to use you Fire Extinguisher



Study nameplate instructions and unit carefully to familiarize yourself with the operating instructions. Quell portable extinguishers operate by squeezing the lever. Each time the lever opens the valve, the stored pressure will force out some of the extinguishing agent. If the lever is not released the entire contents will be discharged.

THE GREEN TAG IS AN ANTI-TAMPER SECURITY TIE. DO NOT REMOVE / CUT / TAMPER. THE GREEN SECURITY TIE WILL BREAK WHEN PULL PIN IS REMOVED UPON USE OF EXTINGUISHER.

Should fire occur, grasp the extinguisher firmly and pull out locking pin. Hold the extinguisher upright and point nozzle toward base of flames. Remain low, out of smoke and heat, approach the fire as shown on nameplate pictographs. Squeeze handle and lever and sweep agent across the base of the fire in a side to side motion.

After initial assault move progressively closer to fire, enabling the powder to reach the furthest burning sections. Keep your back toward the wind. If extinguisher discharge scatters fire you are too close, move back until scattering action ceases.

After fire is out, survey area for several minutes for “flashback” or small recurrences or flame. Check the rubble. Where there is smoke there can be fire. Be sure fire is out. Clean up area immediately after fire is confirmed out. Some dry chemical agents may corrode property if not cleaned up soon after extinguishment. Shut off power if you suspect fire was of electrical origin.

WARNING: DO NOT TEST FIRE YOUR EXTINGUISHER

By activating even the smallest amount of extinguishant you will cause the extinguisher to gradually lose pressure and it will not be fully charged for use in an emergency.

Which Extinguisher To Use

There are two common types of fire extinguishers. Type ABE extinguishers fight wood, paper and textile fires, plus flammable liquids and electrical fires. Type BE extinguishers are for flammable liquids and electrical fires. To determine which class or classes a fire extinguisher is designed to fight, read the extinguisher label. Using the wrong extinguisher on a fire could do more harm than good. Be sure you understand which extinguisher is appropriate for each class of fire.

Compatibility Chart

Which Fire Extinguisher do I use for which fire?						
Kitchen / Garage 1kg 10B:E	✓	✓	X	X	X	✓
Home / Vehicle / Marine 1kg 1A:10B:E	✓	X	✓	✓	✓	✓
Auto / Recreational / Marine 1kg 1A:10B:E	✓	X	✓	✓	✓	✓
Home / Garage / Workshop 1.5kg 2A:30B:E	✓	X	✓	✓	✓	✓
Home / Garage / Workshop 2.3kg 2A:40B:E	✓	X	✓	✓	✓	✓
Industrial 4.5kg 4A:60B:E	✓	X	✓	✓	✓	✓
Heavy Industrial 9.0kg 6A:80B:E	✓	X	✓	✓	✓	✓

Service Instructions

Maintain in accordance with Australian Standard AS1851

Every Six Months:

1. Check that the extinguisher has not been discharged.
2. Check extinguisher for damage and corrosion.
3. Check operating pressure. Gauge pointer should be in green zone.
4. Check that nozzle is not blocked.
5. Invert extinguisher and tap sides to ensure powder remains free flowing.
6. Check cylinder date stamp. If over 5 years old the cylinder requires a pressure test and refilling.

NOTE: Where fire extinguisher is subject to constant vibration or extreme heat (e.g., in vehicles), more frequent checks are recommended.

Congratulations!

You have just bought a product that can help keep you safe.

For a range of other fire and safety products from Quell visit www.quell.com.au or your major retailer nationally.

Warranty

FIVE YEAR LIMITED WARRANTY

Quell warrants to the original consumer purchaser each new fire extinguisher will be free from defects in material and workmanship under normal use for a period of 5 years from the date of purchase. To the extent permitted by law, Quell agrees to repair or replace (at our discretion) any defective product on presentation of the proof of purchase.

Australia warranty claims:

Where the goods are offered for sale in Australia, the benefits to the consumer given by this warranty are in addition to other rights and remedies of the consumer under the Australian Consumer Law and other applicable laws relating to the goods. Our goods come with guarantees that cannot be excluded under the Australian Consumer Law. You are entitled to a replacement or refund for a major failure and compensation for any other reasonably foreseeable loss or damage. You are entitled to have the goods repaired or replaced if the goods fail to be of acceptable quality and the failure does not amount to a major failure.

New Zealand warranty claims:

Where the goods are offered for sale in New Zealand, the benefits to the consumer given by this warranty are in addition to other rights and remedies of the consumer under relevant New Zealand consumer protection laws and other applicable laws relating to the goods. Our goods come with guarantees that cannot be excluded under relevant New Zealand consumer protection laws. You are entitled to a replacement or refund for a major failure and compensation for any other reasonably foreseeable loss or damage. You are entitled to have the goods repaired or replaced if the goods fail to be of acceptable quality and the failure does not amount to a major failure.

Exclusions

Subject to non-excludable laws, this warranty does not cover:

- normal wear and tear to the product or parts
- batteries or other consumables included with this product (excluding sealed non replaceable battery models)
- damage to the product caused by accidents, misuse, abuse, lack of reasonable care, tampering or repair by a person not authorised by Quell
- any product that has not been installed, operated or maintained in accordance with the manual or operating instructions provided with the product
- any damage caused by improper power input or improper cable connection
- any indirect or special loss or damage of any kind

To make a claim

If a defect in the product appears within the time frame stated, you are entitled to submit a warranty claim by returning your product to place of purchase.

Please provide proof of purchase and brief explanation of the problem. Any postage and packaging expenses incurred to return the product will be at your cost.

If a defect is found, the place of purchase can elect to replace the product, repair the product or refund you for the product.

If it is elected to repair the product, goods presented for repair may be replaced by refurbished goods of the same type rather than being repaired. Refurbished parts may be used to repair the goods

This warranty is provided by:

Kidde Australia Pty Ltd
ABN 68 006 252 428
10 Ferntree Place
Notting Hill, Victoria 3168

Website: www.quell.com.au